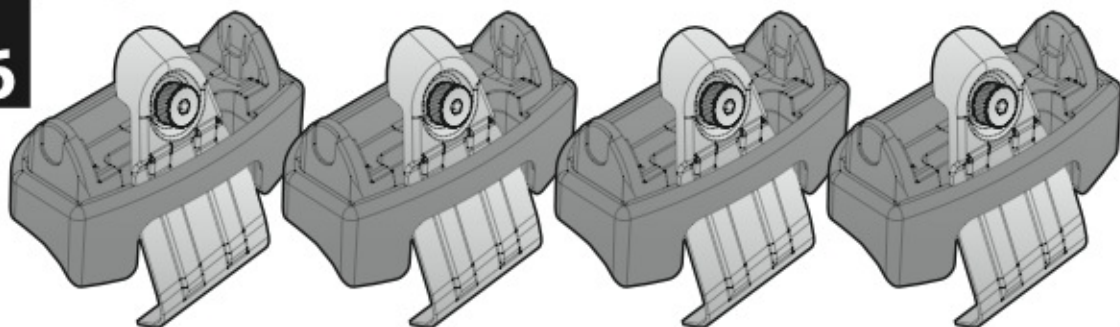




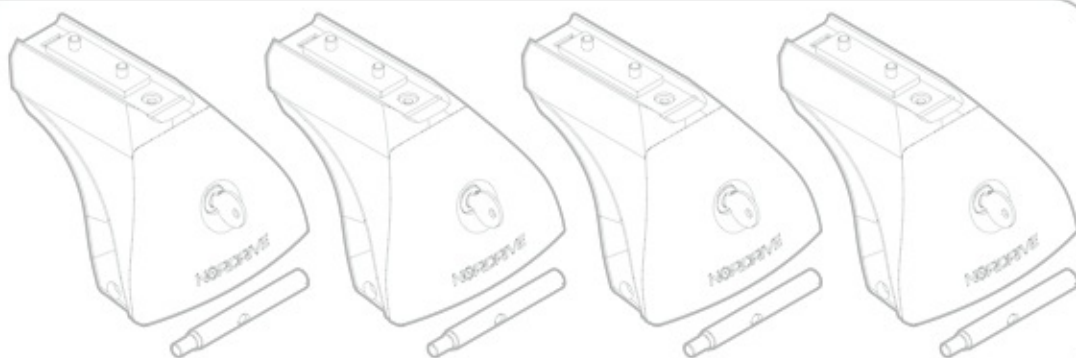
Art.
N21166



C

+

Art. **N20001**



B

+

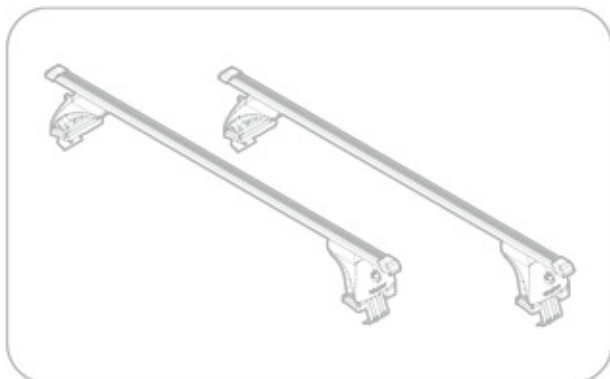
Art. **N15020**



A

ACCIAIO
Steel

=



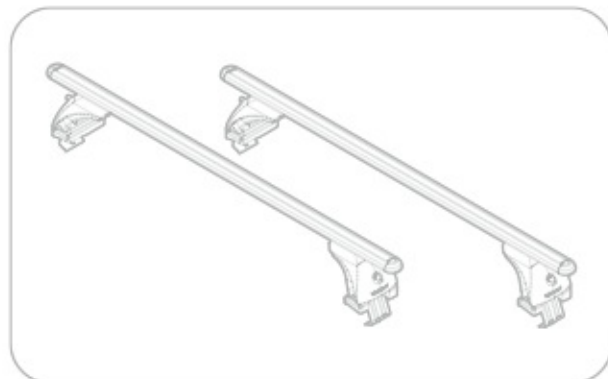
Art. **N15025**



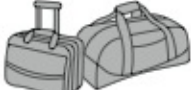


A

ALLUMINIO
Aluminium

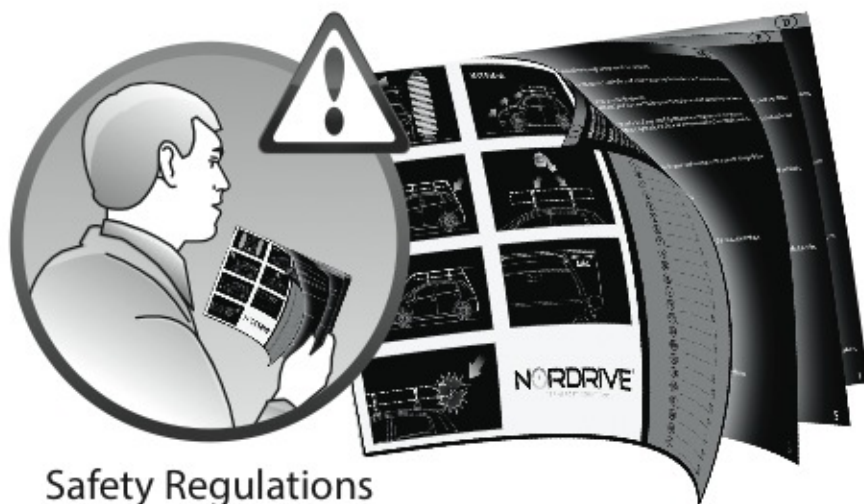
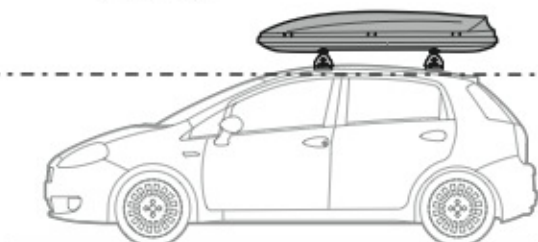
=



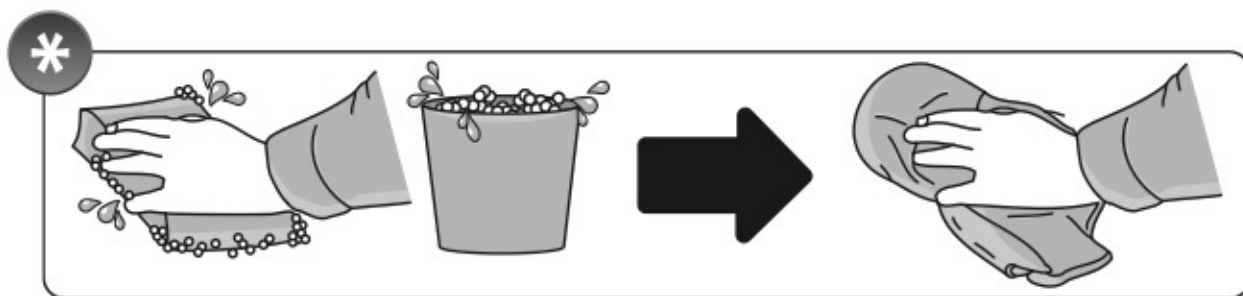
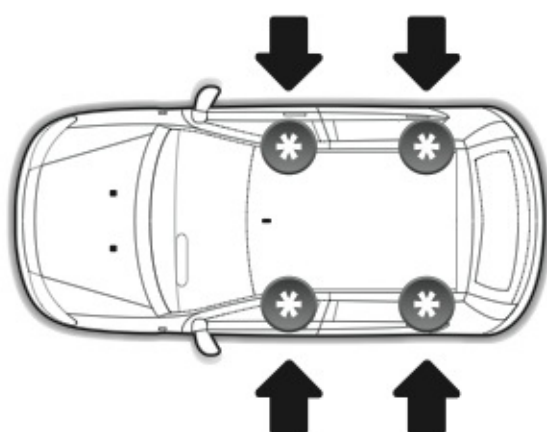
 +  +  = max: **50kg**
5,5kg



max:
???kg



Safety Regulations

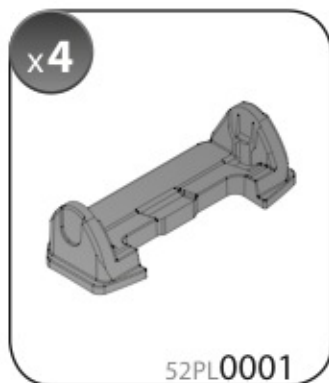
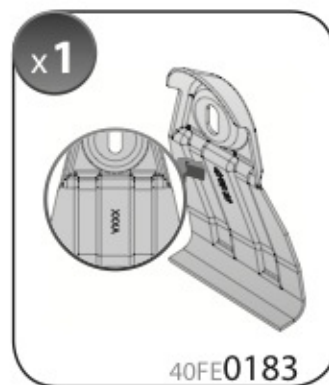
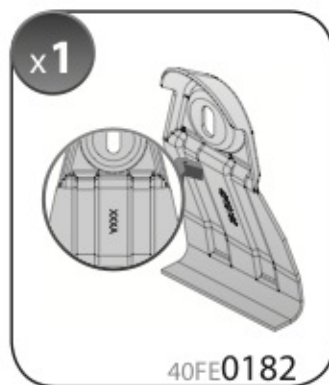
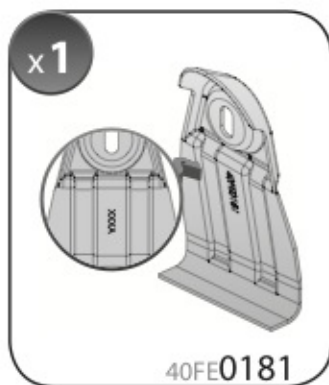
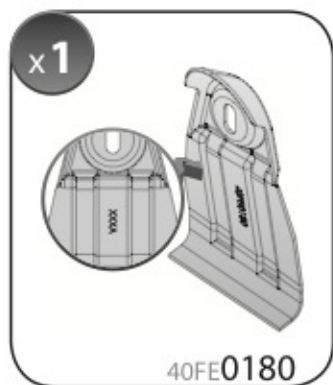
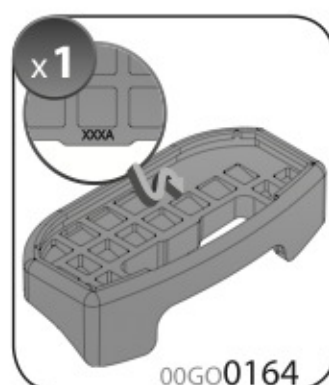
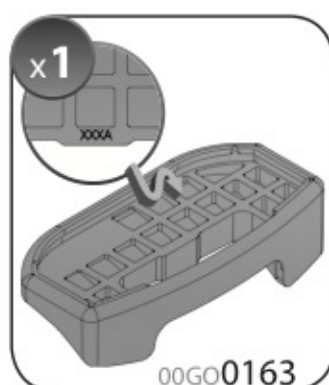
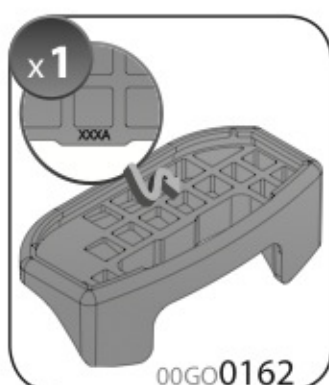
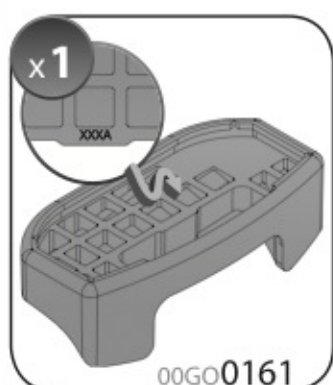


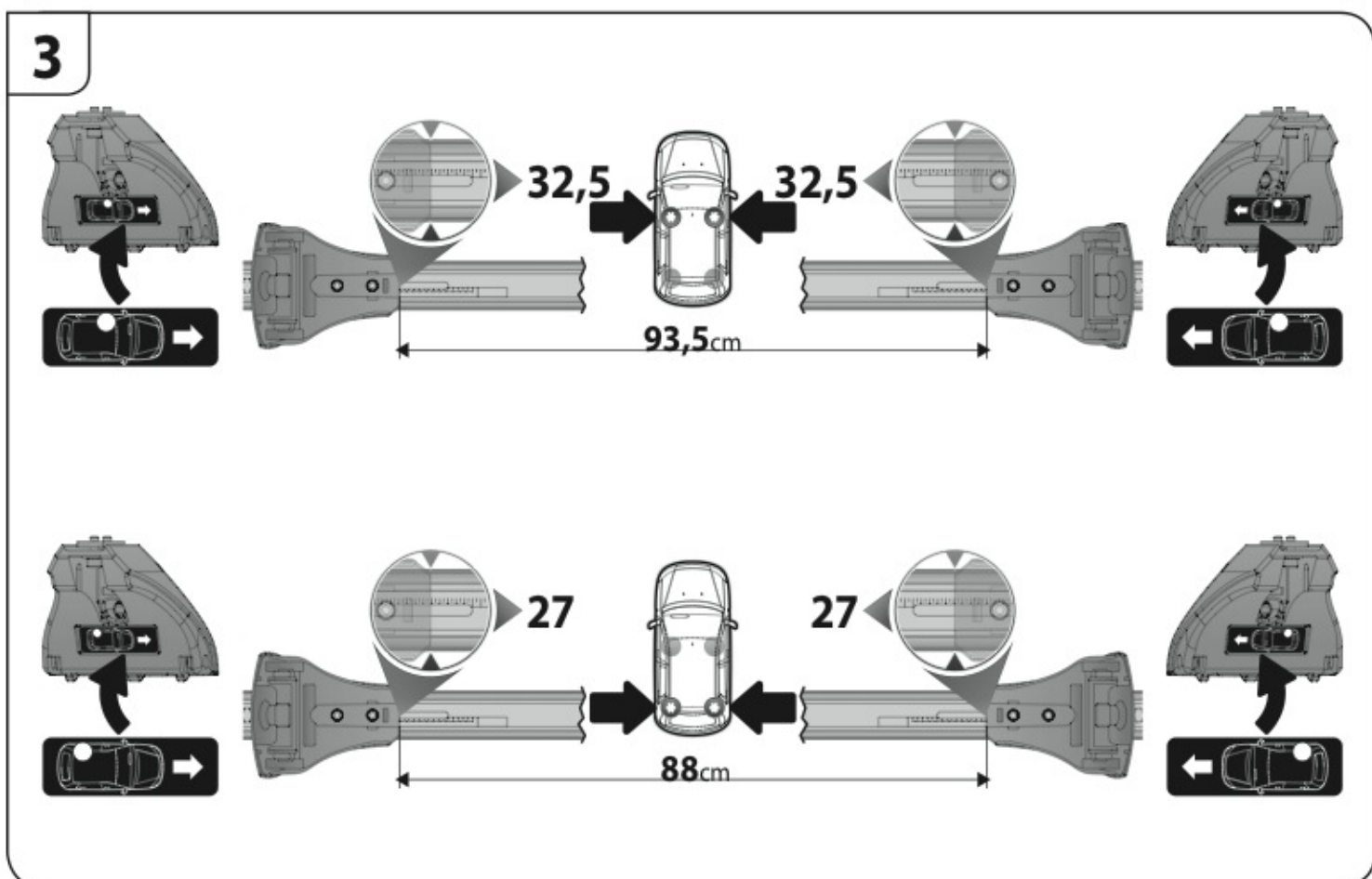
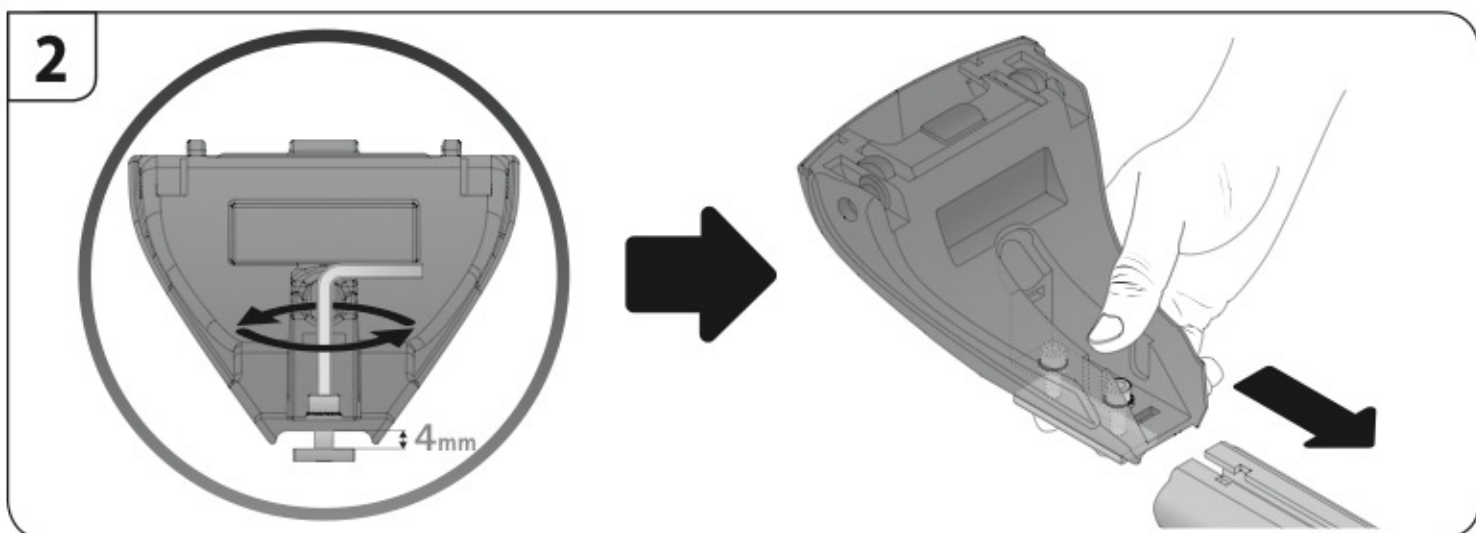
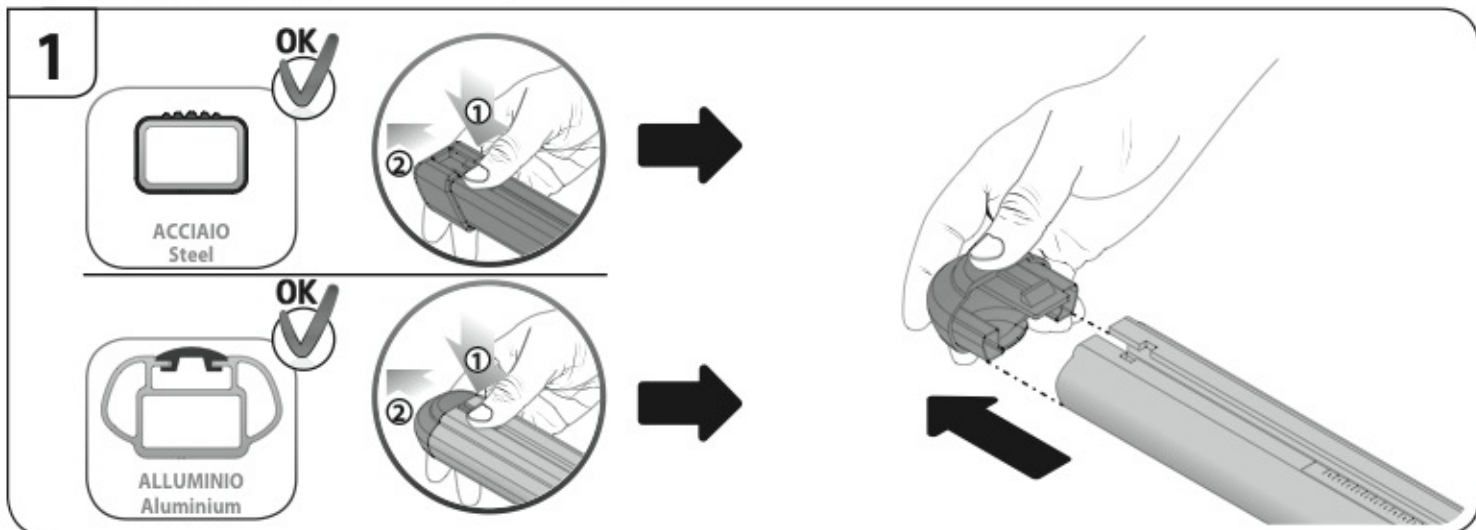


KIA VENGA

2/10 →

Art. **N21166**

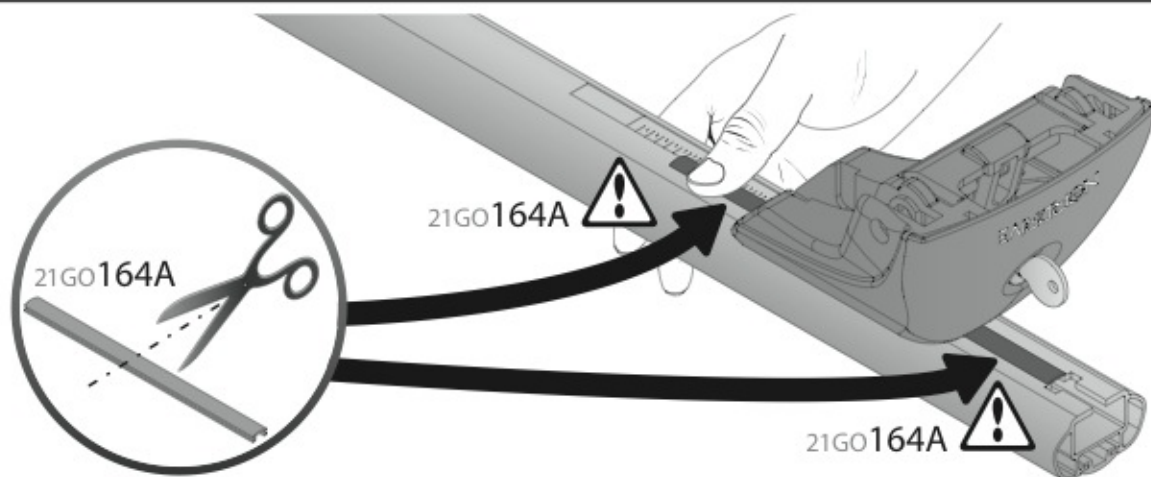




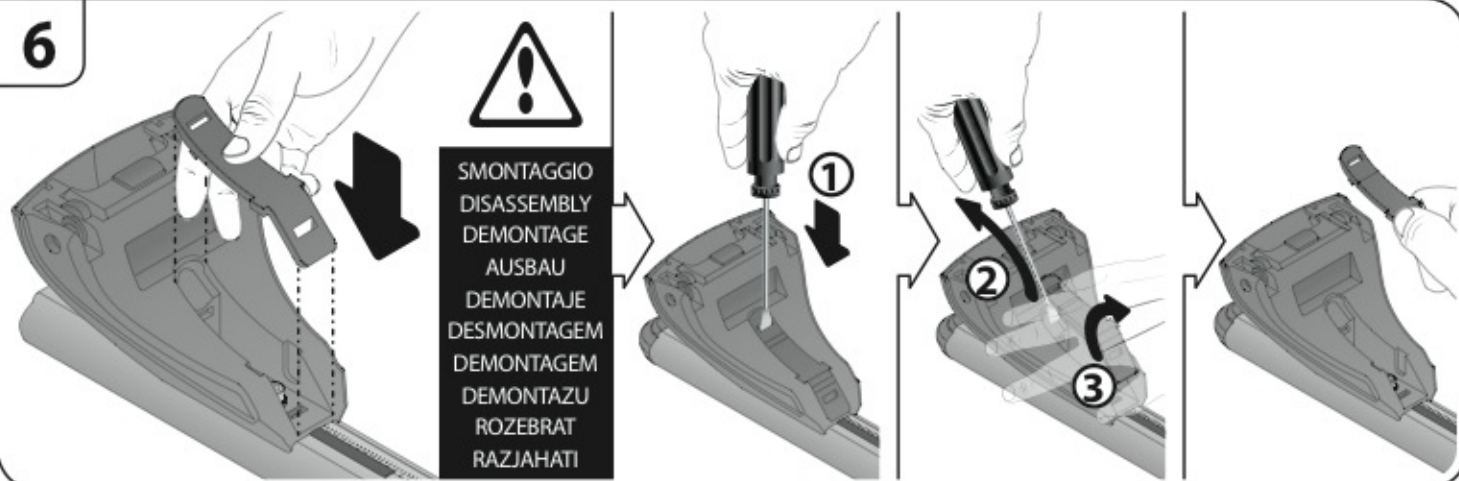
4



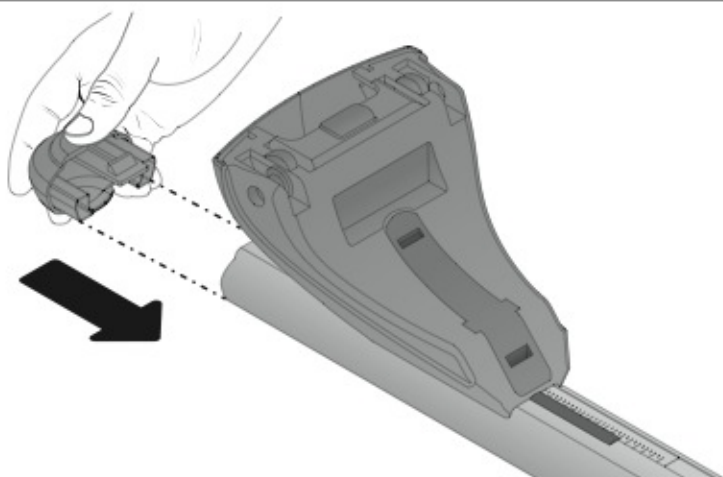
5



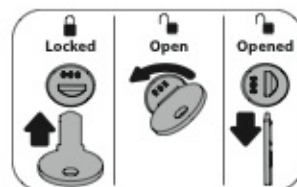
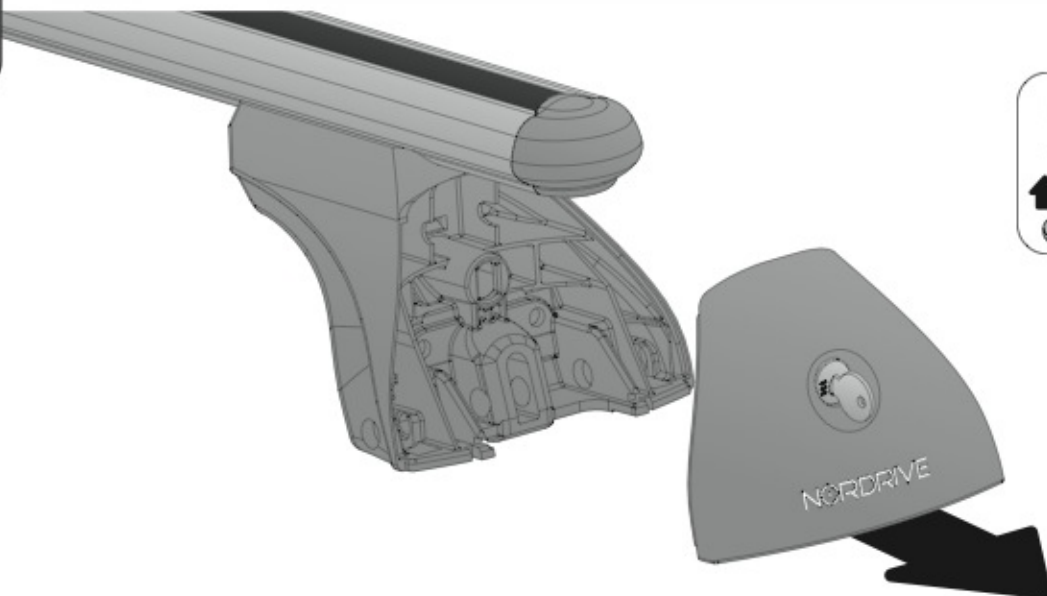
6



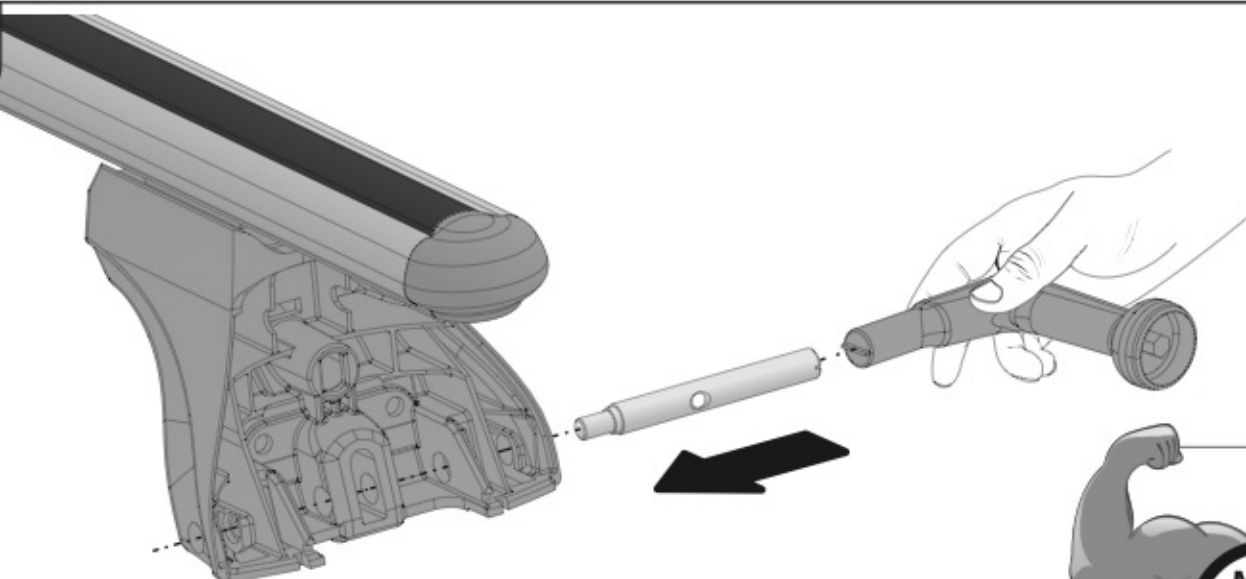
7



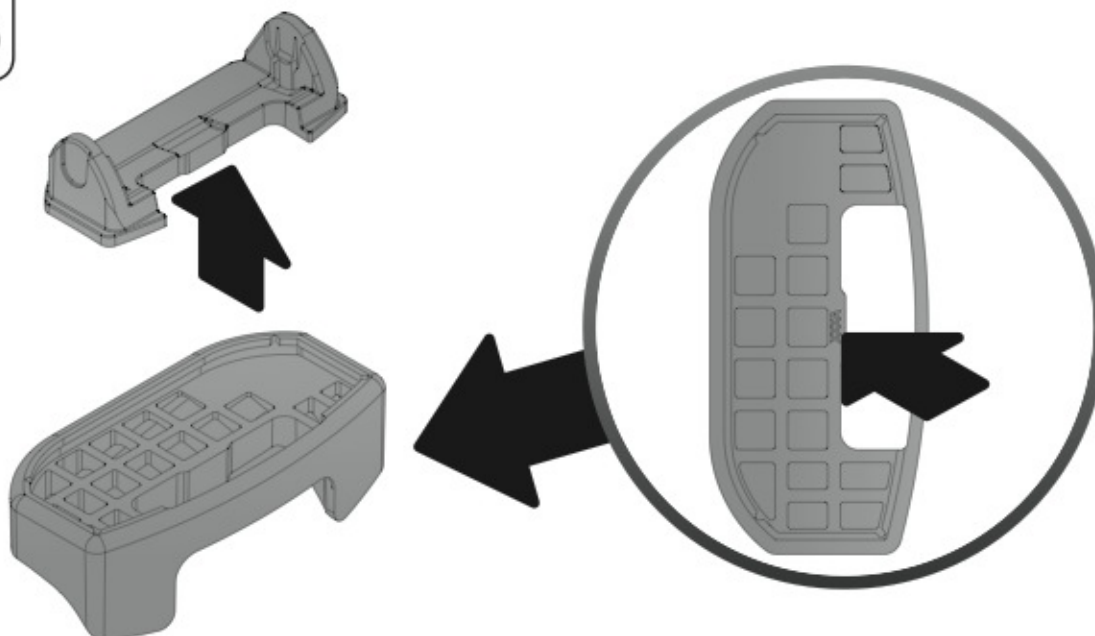
8



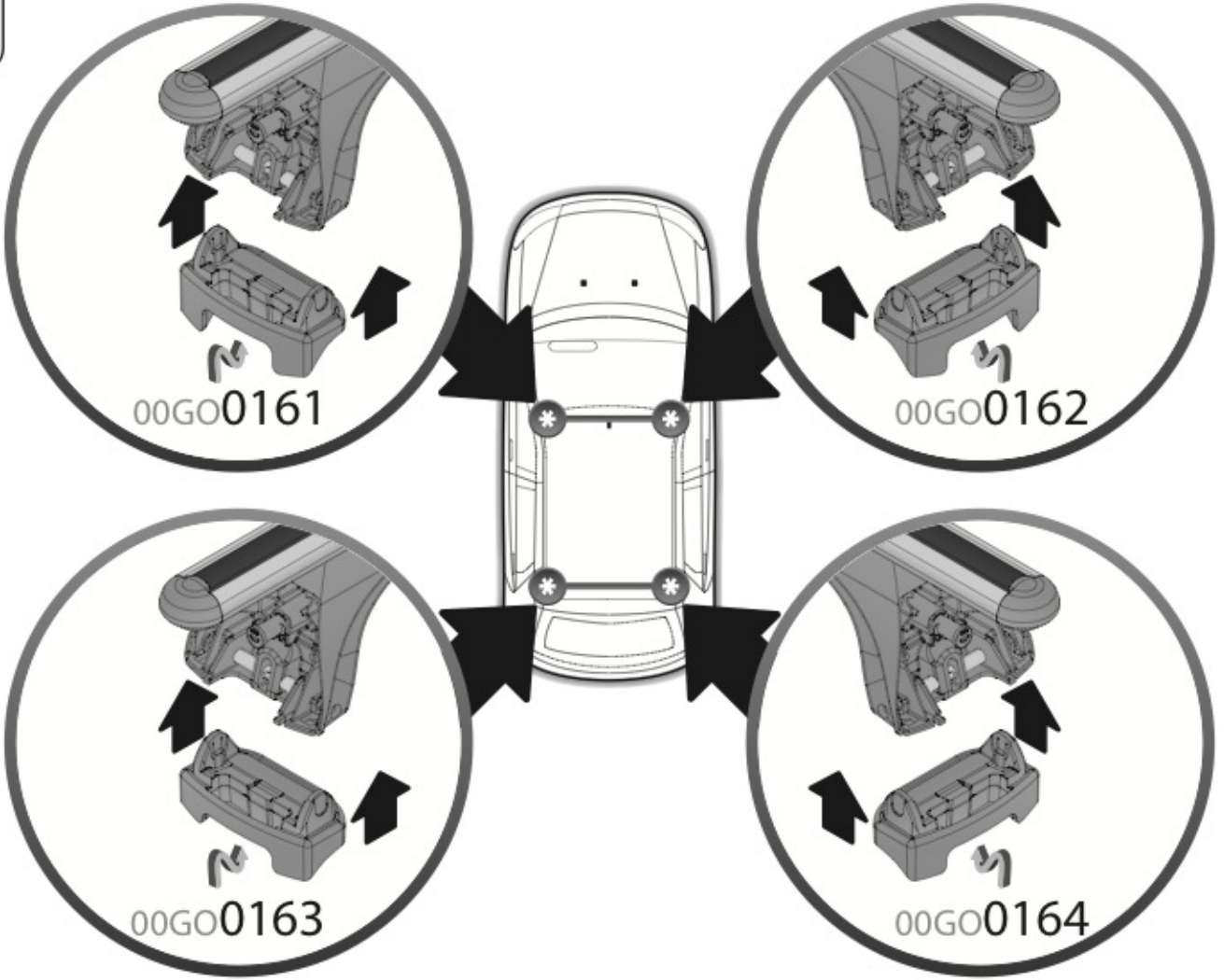
9



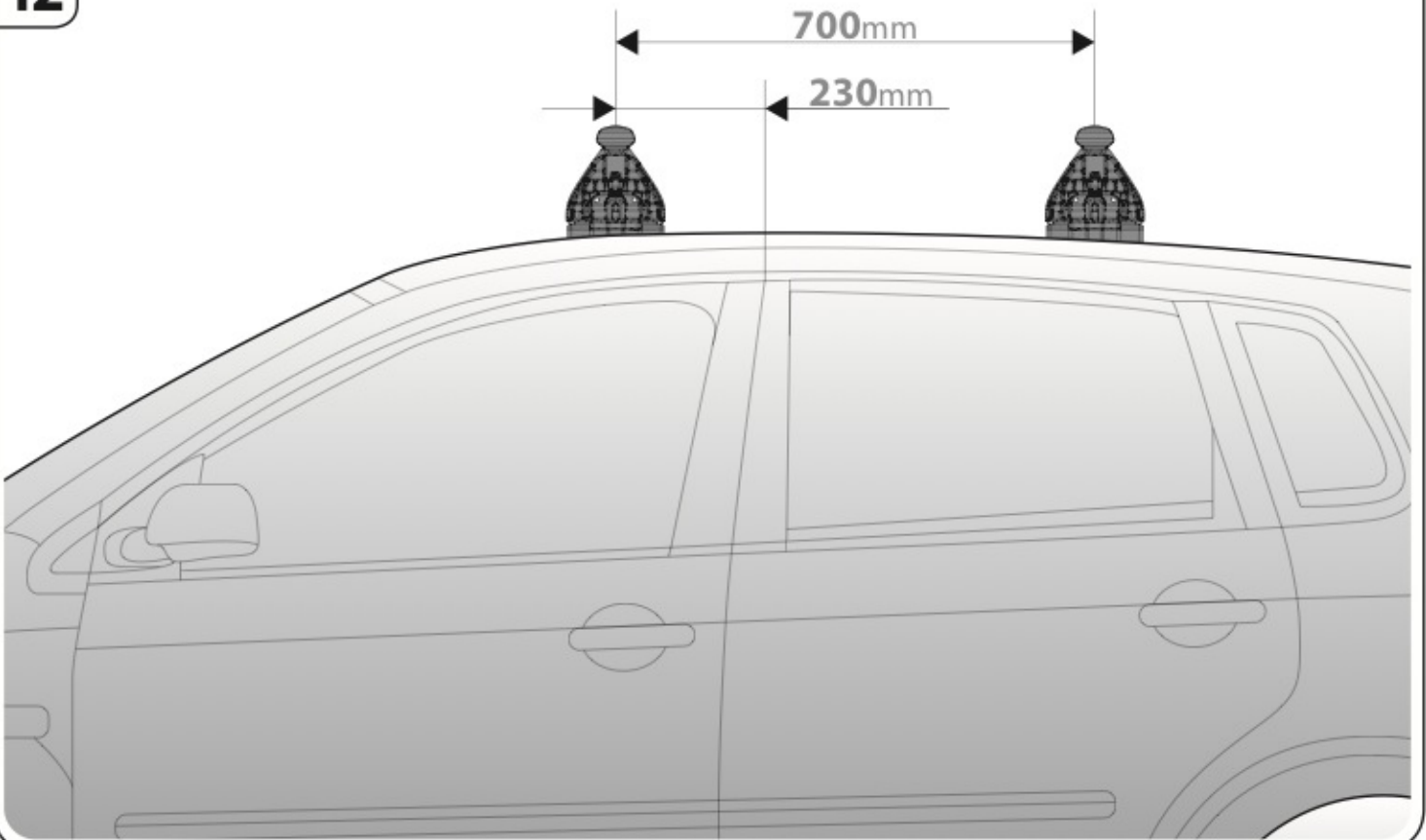
10



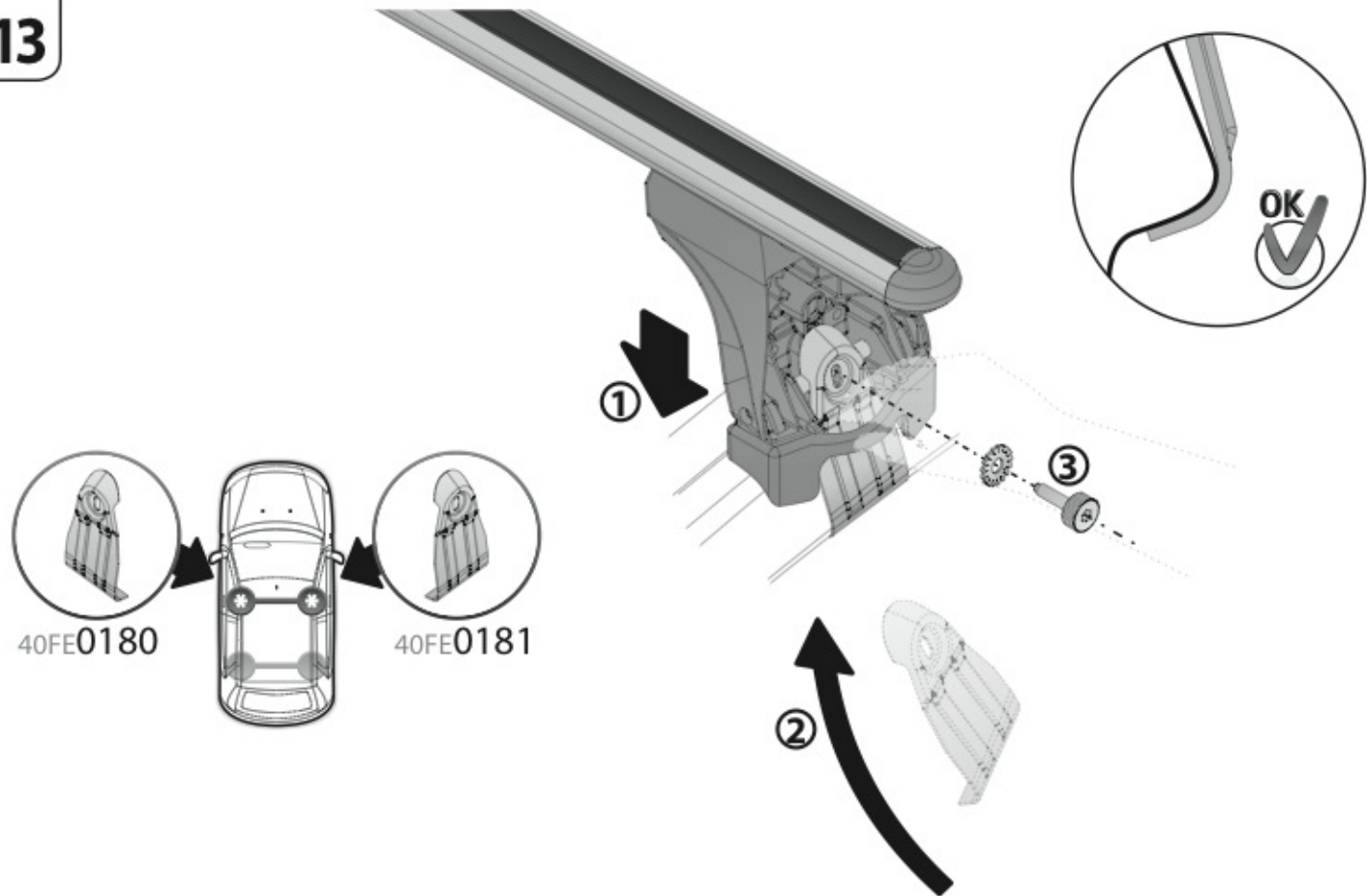
11



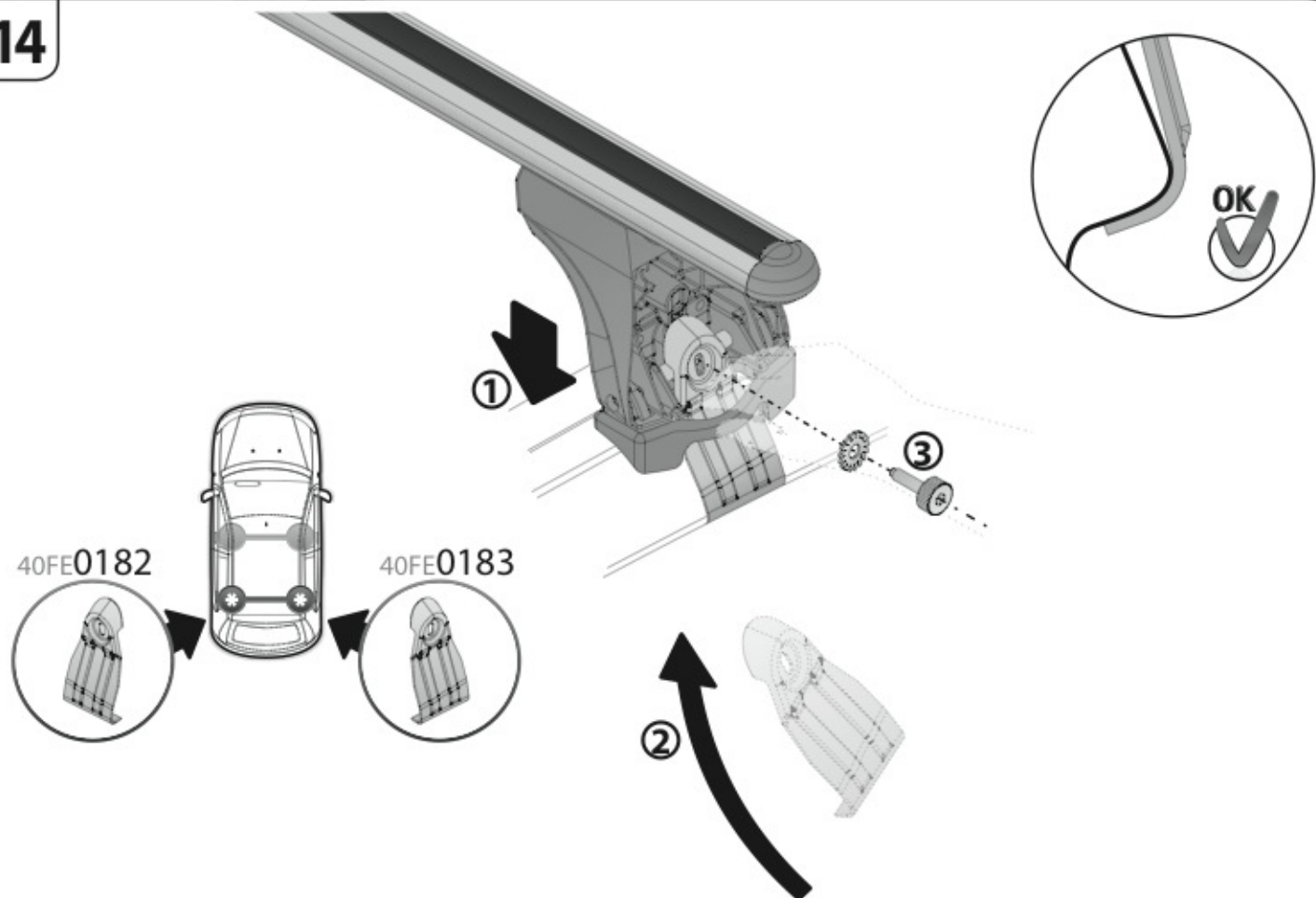
12



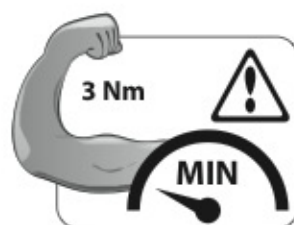
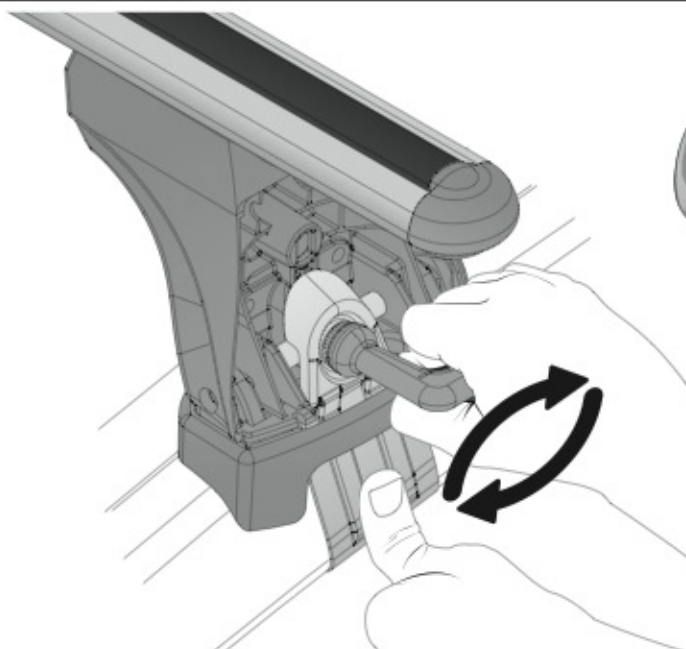
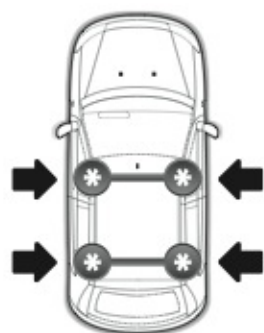
13



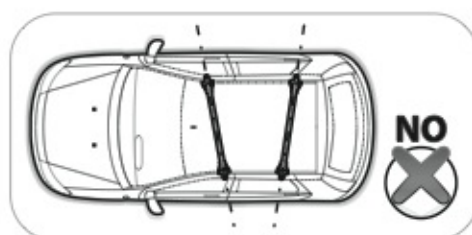
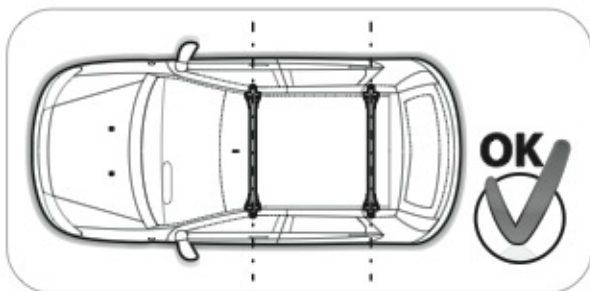
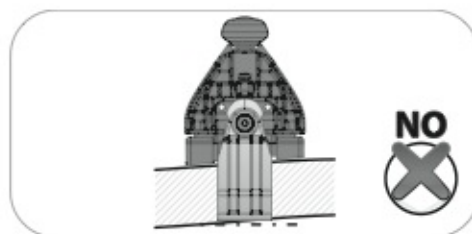
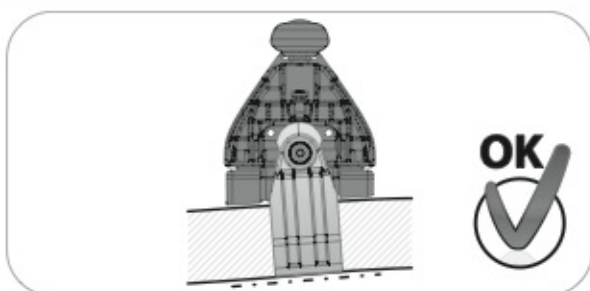
14



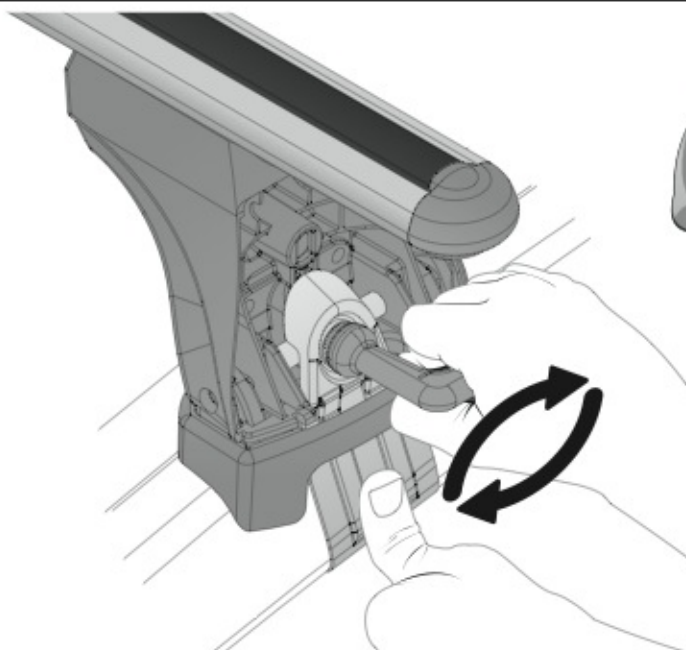
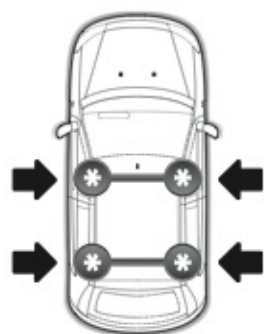
15



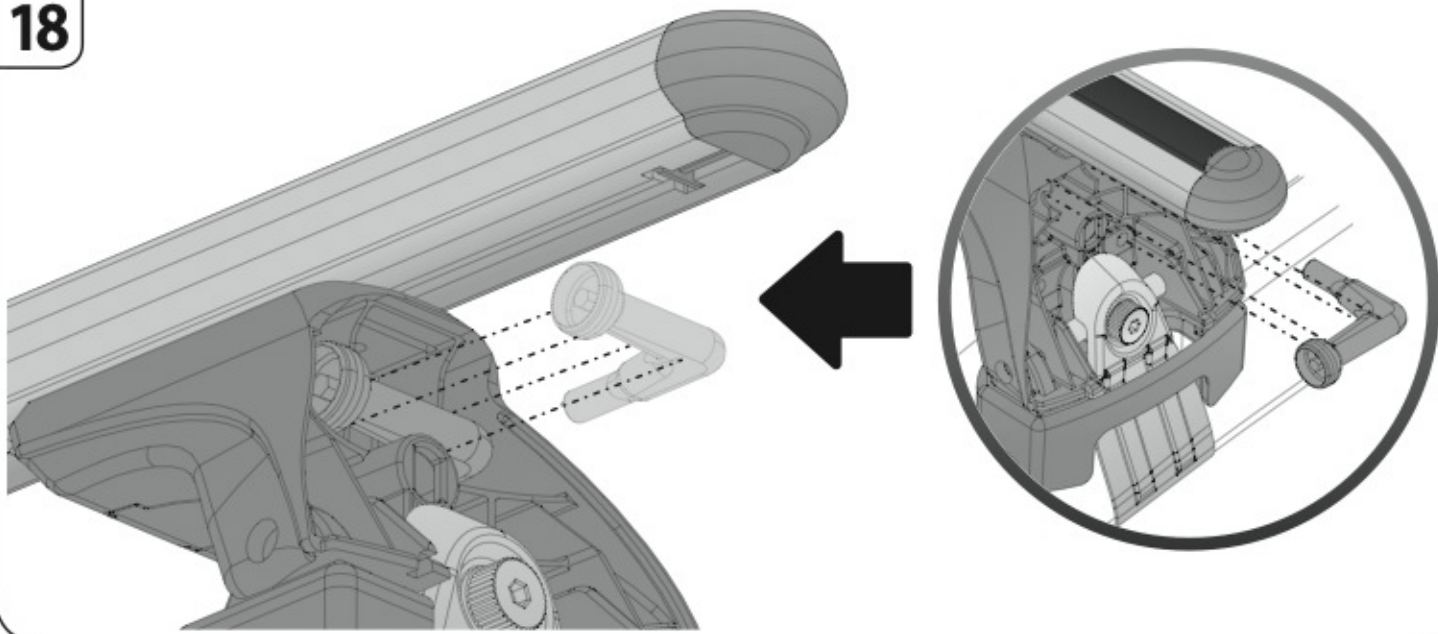
16



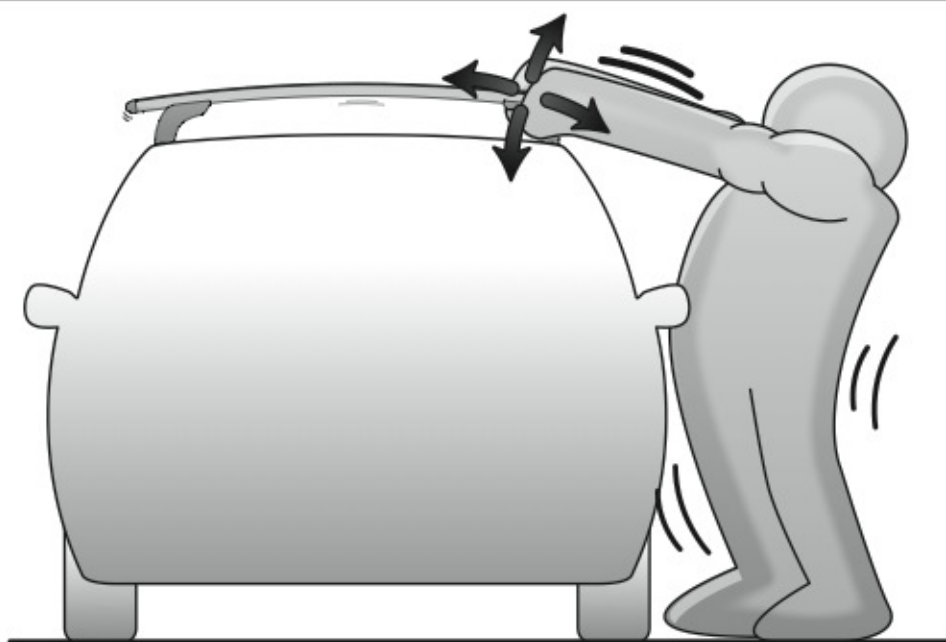
17



18



19



20

